



LM MEDICAL
DIVISION

HEALTHCARE DESIGN TECHNOLOGY



Why choose OKI CIELO *TEATRO*?



ALL-ROUND INTERVENTION

Thanks to its 3 or 4 sides our media supply unit OKI CIELO *TEATRO* allows a 360° area for free intervention. All supply levels can be placed both inside and/or outside.



EASY TO INSTALL, EASIER TO MAINTAIN

We create equipment based on two simple key principles: ease of installation and long-lasting top quality components ensuring minimum maintenance and maximum reliability.

OKI CIELO is delivered pre-assembled to reduce costs of installation.



ERGONOMICS: A MATTER OF ANGLE

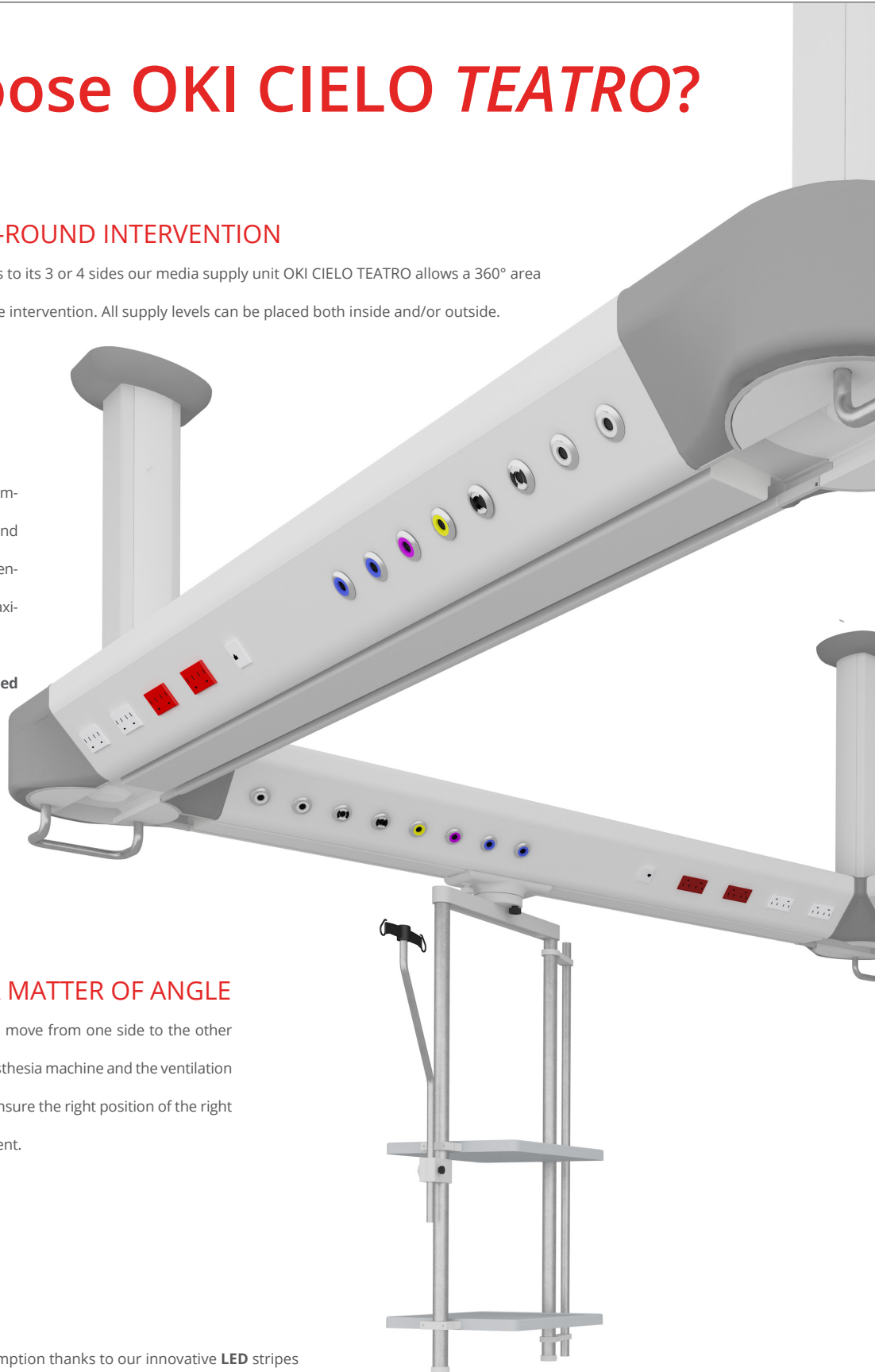
90° rotating corners allow to move from one side to the other key components like the anesthesia machine and the ventilation equipment: this will always ensure the right position of the right equipment in the right moment.



GREEN LIGHTING

Decrease your electricity consumption thanks to our innovative **LED** stripes which are available for all direct, indirect and even night lighting. Lesser maintenance, greater performance!

Up to 40% energy saving. 50.000 Hours average lifetime





POWDER COATING, POWERED HYGIENE

Protecting **epoxy powder coating** guarantees adequate hygienic surfaces. This could be boosted further with our dedicated **antibacterial** paint to ensure 100% shield against infectious agents.



HYGIENE FROM TOP...

The combination of the media supply unit with the laminar air flow ceiling will guarantee perfect bacteria-free area with no risk of contamination around the operation area.



... TO BOTTOM

As all equipment is placed on the sliding components of the bridge there is no potential risk to spoil the workflow during operations. All components can be easily moved along and away on each side keeping the floor space clear at all time.



INTRODUCTION

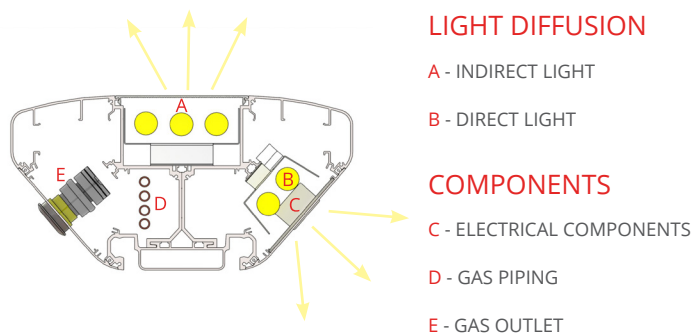
In only one solution OKI CIELO TEATRO houses all needed services (lights, sockets and switches, nurse call system, gas outlets) which can be arranged in each side both internally and externally.

The structural profiles and pillars, as per our overall standard, are completely extruded: The generous thickness guarantees an adequate payload allowing the possibility to mount all the necessary equipment without risking to overload the whole structure. The whole system can be equipped with a broad range of accessories that can slide along all 4 sides thanks to our newly engineered rotating corners.

The possibility to combine the whole unit to a ceiling laminar flow system allows a dramatic reduction of the air turbulence that offers a completely germ-free environment.

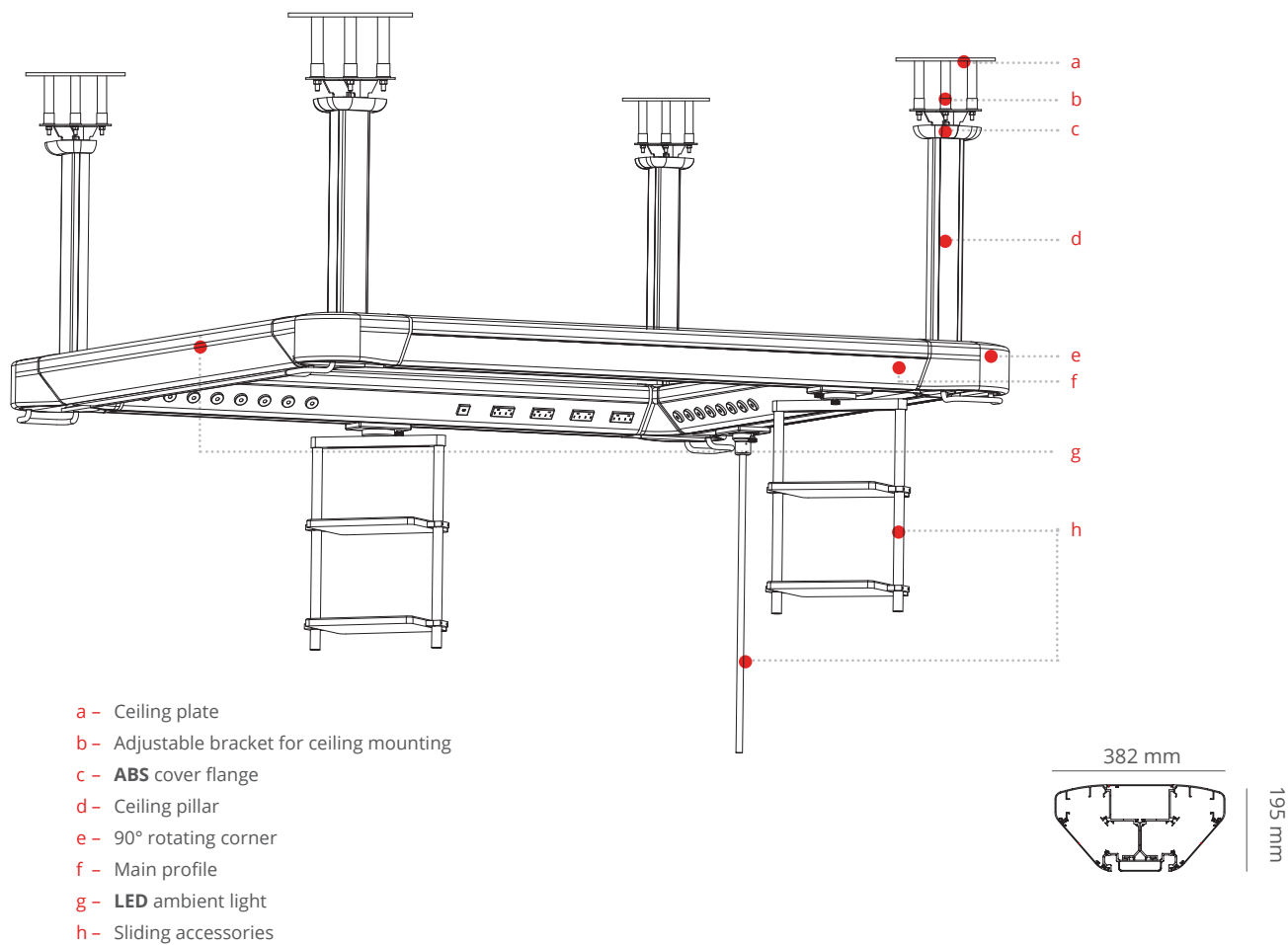
The corners can be offered evenly:

- Standard non-rotating having accessories sliding only along one side.
- 90° rotating to maximize the usage of accessories that can be moved from one side to the other.

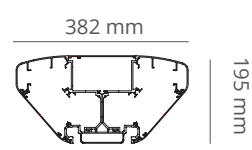




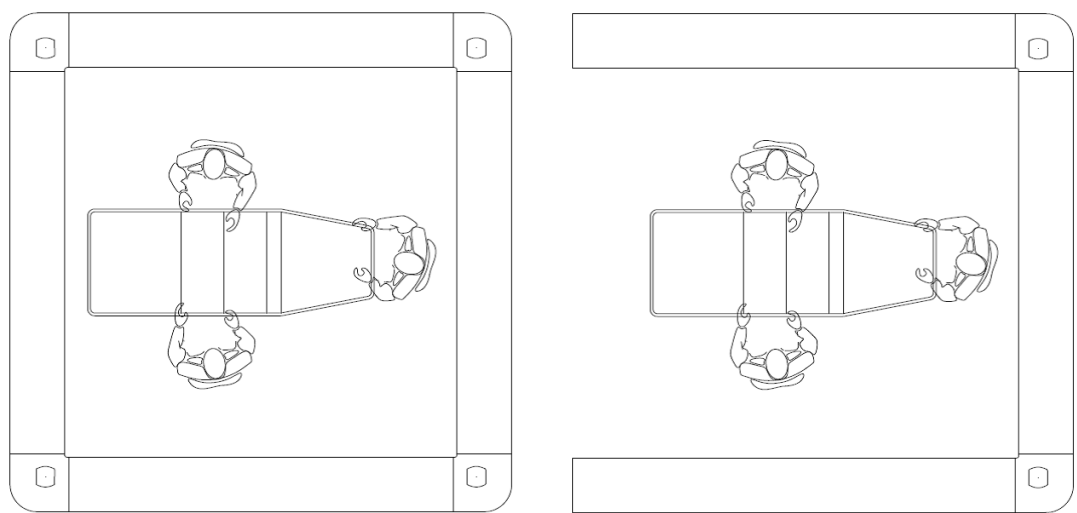
PROFILE OVERVIEW

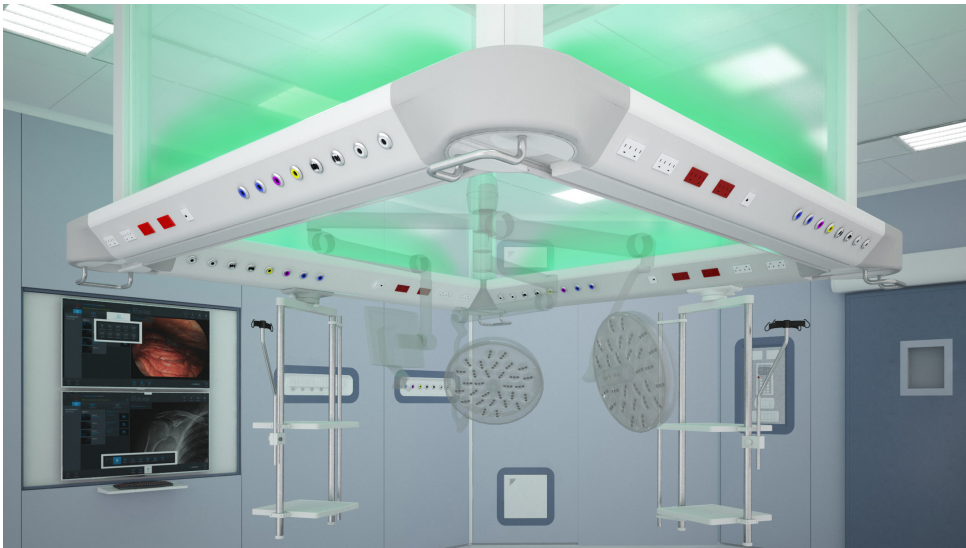


- a - Ceiling plate
- b - Adjustable bracket for ceiling mounting
- c - **ABS** cover flange
- d - Ceiling pillar
- e - 90° rotating corner
- f - Main profile
- g - **LED** ambient light
- h - Sliding accessories



STANDARD CONFIGURATION





LIGHTING

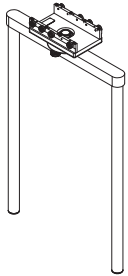
Dazzle free ambient lighting can be housed in the top profile for adequate indoor illumination, also direct light can be added on each side. Both can be equipped with T5/T8 neon lamps, or **LED** strips, with dimming light system through pushbutton or DALI. An optional selective **RGB** light solution is also available to customize the O.T. environment.





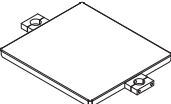
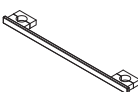
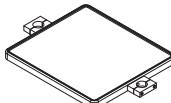
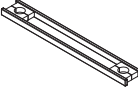
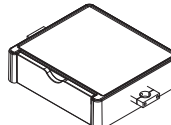
500MM SLIDING AND SWIVELING TROLLEY

ACCESSORIES

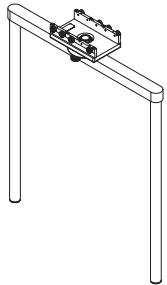


360° swiveling trolley with mechanical locking made of aluminum, vertical pole made of stainless steel, wheels made of teflon coated steel

- OK-ACCTRL5008** L 500mm - H 800mm - Load 150Kg
- OK-ACCTRL5012** L 500mm - H 1200mm - Load 150Kg
- OK-ACCTRL5015** L 500mm - H 1500mm - Load 150Kg

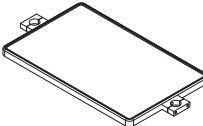
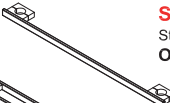
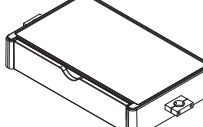
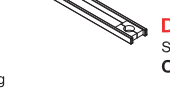
 <p>SHELF Painted steel structure, aluminum fixings OK-ACCSHF4440 L 440mm - W 400mm - Load 45Kg</p>	 <p>SINGLE DIN RAIL Stainless steel DIN rail, aluminum fixings OK-ACCMDR500S L 500mm - 25x10mm - Load 20Kg</p>
 <p>ABS SHELF Steel structure, ABS coating, aluminum fixings OK-ACCSHF4440A L 440mm - W 400mm - Load 45Kg</p>	 <p>DOUBLE DIN RAIL Stainless steel DIN rail, aluminum fixings OK-ACCMDR500D L 500mm - 25x10mm - Load 20Kg</p>
 <p>ABS DRAWER Steel structure, ABS coating, aluminum fixings OK-ACCDRW4440A L 440mm - W 400mm - H 170mm - Load 45Kg</p>	

700MM SLIDING AND SWIVELING TROLLEY

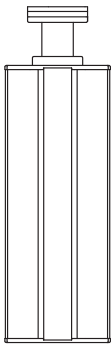


360° swiveling trolley with mechanical locking made of aluminum, vertical pole made of stainless steel, wheels made of teflon coated steel

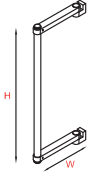
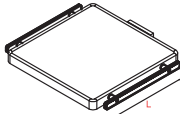
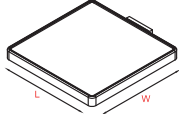
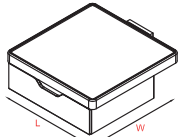
- OK-ACCTRL7008** L 700mm - H 800mm - Load 150Kg
- OK-ACCTRL7012** L 700mm - H 1200mm - Load 150Kg
- OK-ACCTRL7015** L 700mm - H 1500mm - Load 150Kg

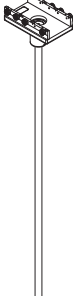
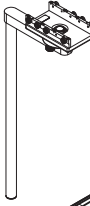
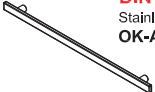
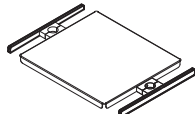
 <p>ABS SHELF Steel structure, ABS coating, aluminum fixings OK-ACCSHF6440A L 640mm - W 400mm - Load 45Kg</p>	 <p>SINGLE DIN RAIL Stainless steel DIN rail, aluminum fixings OK-ACCMDR700S L 700mm - 25x10mm - Load 20Kg</p>
 <p>ABS DRAWER Steel structure, ABS coating, aluminum fixings OK-ACCDRW6440A L 640mm - W 400mm - H 170mm - Load 45Kg</p>	 <p>DOUBLE DIN RAIL Stainless steel DIN rail, aluminum fixings OK-ACCMDR700D L 700mm - 25x10mm - Load 20Kg</p>

MONITOR COLUMN



330° swiveling column made of aluminum, with variable height (600/1000/1200) and frontal track for additional accessories

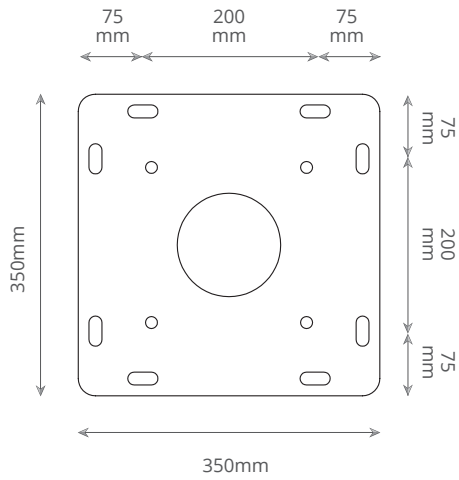
 <p>ORIENTABLE VERTICAL POLE Vertical pole made of stainless steel, support made of aluminum OK-ACOPD2506 H 600mm - W 200mm - Ø25mm - Load 50Kg OK-ACOPD2510 H 1000mm - W 200mm - Ø25mm - Load 50Kg OK-ACOPD2512 H 1200mm - W 200mm - Ø25mm - Load 50Kg OK-ACOPD2515 H 1500mm - W 200mm - Ø25mm - Load 50Kg</p>	 <p>SHELF DIN RAIL Anodized aluminum double lateral DIN rail OK-ACPRAIL400 L 400mm - 25x10mm - Load 10Kg</p>
 <p>ABS SHELF Steel structure, ABS coating, aluminum fixings OK-ACPSHF4545A L 450mm - W 450mm - Load 40Kg</p>	 <p>ABS DRAWER Steel structure, ABS coating, aluminum fixings OK-ACPDW4545A L 450mm - W 450mm - H 150mm - Load 40Kg</p>

 <p>SLIDING TROLLEY WITH VERTICAL POLE Trolley made of aluminum, vertical pole made of stainless steel, wheels made of teflon coated steel OK-ACCAST2508 H 800mm - Load 80Kg OK-ACCAST2512 H 1200mm - Load 80Kg OK-ACCAST3808 H 800mm - Load 120Kg OK-ACCAST3812 H 1200mm - Load 120Kg OK-ACCAST3815 H 1500mm - Load 120Kg</p>	 <p>SLIDING ARM FOR ACCESSORIES WITH VERTICAL ROD Trolley made of aluminum, vertical pole made of stainless steel, wheels made of teflon coated steel OK-ACCTRL2505 L 250mm - H 500mm - Load 40Kg OK-ACCTRL2508 L 250mm - H 800mm - Load 40Kg</p>
 <p>DIN RAIL Stainless steel DIN rail for accessories OK-ACB2510 - 25x10mm - Load 20Kg</p>	 <p>SHELF DIN RAIL Anodized aluminum double lateral DIN rail OK-ACCRAIL400 L 400mm - 25x10mm - Load 10Kg</p>

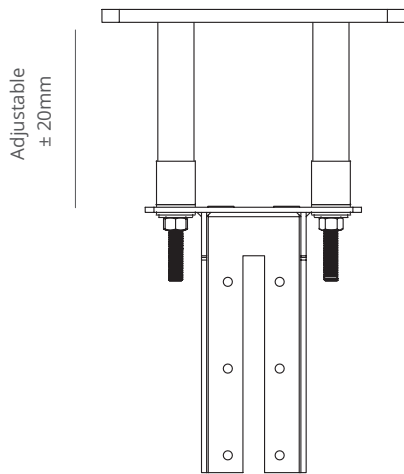




CEILING PLATE

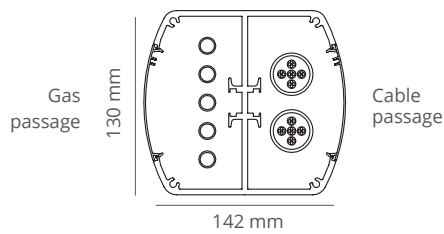


ADJUSTABLE BRACKET



PILLAR SECTION

H shaped profile



CEILING PILLARS



The main scaffold made of steel is safely bolted onto the ceiling. The frame can be fully customized in height thanks to the adjustable brackets. A cover flange can be supplied in order to adapt the mounting scaffolding onto double plasterboard ceilings. Each pillar can bear up to 150 kg overall weight.

TECHNICAL DATA SHEET

Testing in production for each single unit	For each unit the following tests are performed: -grounding impedance protection in accordance with 18f) of standard 60601-1 - standard measurement of leakage current in accordance with 19.3 and 19.4 of EN 60601-1-measurement of dielectric strength, in accordance with 20.3 and 20.4 of standard EN 60601-1 – requirements as in 59.101.1, 59.102.1 and 59.103.1; 59.101.2); 59.102.2 b), 59.103.2); 59.101.2 BC), 59.102.2 (c) and 59.103.2. b) – pressure tests in accordance with 59.101.2. d) and 59.102.2. d) Tests carried out on end-of-line product form an integral part of this manual.
EC CERTIFICATE 1548/MDD	The devices are made in compliance with Directive 93/42/EEC concerning medical devices Annex II with certification CE0051.
Regulation	The equipment should be considered class IIb
Classification according to the type of protection against electrical hazards	Class I device. The protection against electric shock is guaranteed by the metal parts of the ground protection.
Classification according to the degree of protection against penetration of liquids and external agents	IP20.
Classification according to the use and conditions	Device for continuous operation.
Electromagnetic interference	The operation of other devices placed near the medical device (as portable equipment or furniture) can cause electromagnetic interference or other interference, always check with qualified personnel.
Protection provided on external power circuit	Provides adequate protection with circuit breakers or fuses dimensioned according to the power indicated on the label.
Supply voltage	220/230 V-AC 50/60 Hz different supply voltage available upon request.
Low voltage	12/24V-AC/DC.
Wire minimum section	Lights 1.5 sq. mm Electrical sockets 2.5 sq. mm Ground 2.5/6 sq. mm
Conditions for Storage	Temperature: between -10°C and +40°C Relative humidity: between 30% and 75%.
Conditions for Usage	Temperature: between +5°C and 35°C Relative humidity: between 30% and 75%.
Maintenance	The bed head unit does not require routine standard maintenance but only long term one. Medical gases and electrical components are kept separated : for this reason no special caution during maintenance service is needed.
Cleaning	The epoxy-polyester paint or the anodic oxidation guarantee the durability of all external surfaces. Cleaning is recommended with soft cloth soaked with non-alcoholic and gentle detergents and disinfectants.
Testing	The products are fully tested and ready for immediate installing.
Ceiling fixing	Clamped onto the ceiling with an adjustable bracket.
Aluminium	Structural profile not less than 3.5mm/cover profile not less than 1.8mm Alloy 6063 T6.
Quality management systems	ISO 9001:2008 EN ISO 13485:2012



ISO 9001:2008



REG. N. IT-79003



EN ISO 13485:2012



**LM MEDICAL
DIVISION**

LM MEDICAL DIVISION s.r.l.
Via Bornico - 25036 Palazzolo sull'Oglio - Brescia - Italy
Phone +39 030 7453357 - Fax +39 030 7453105
info@lmmedicaldivision.com
www.lmmmedicaldivision.com

Follow us on:



REV.04-10|2015